

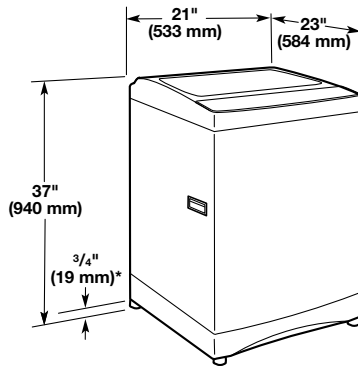


# Compact Washer

## PRODUCT MODEL NUMBERS

NTC3500F

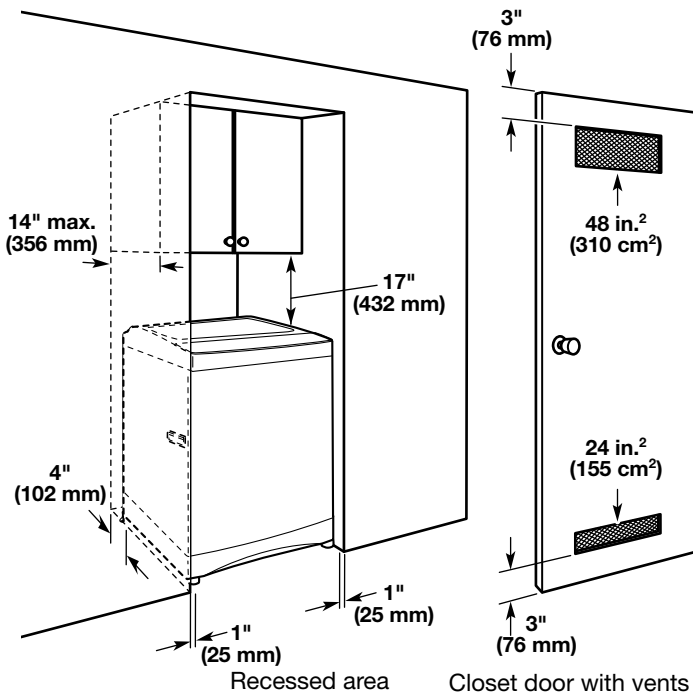
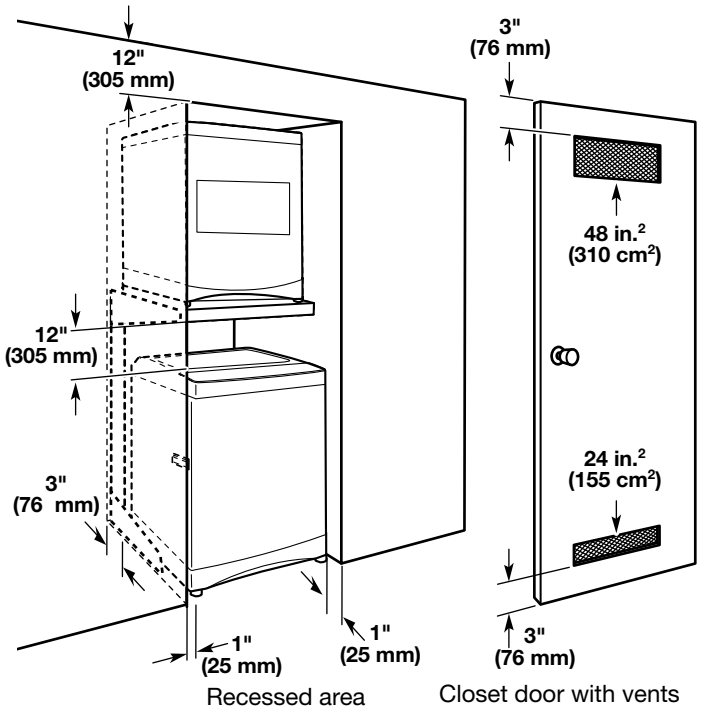
### WASHER DIMENSIONS



\*Minimum measurement with leveling feet installed.

**IMPORTANT:** Do not install or store the washer where it will be exposed to the weather.

Proper installation is your responsibility.



## INSTALLATION REQUIREMENTS

### ELECTRICAL REQUIREMENTS

- A 120-volt, 60 Hz, AC-only, 15- or 20-amp, fused electrical supply is required. A time-delay fuse or circuit breaker is recommended. It is recommended that a separate circuit serving only this appliance be provided.

### Installation spacing for recessed area or closet installation

All dimensions show recommended and minimum spacing allowed.

- Additional spacing should be considered for ease of installation and servicing.
- Additional clearances might be required for wall, door, and floor moldings.
- Additional spacing of 1" (2.5 cm) should be considered on all sides of the washer to reduce noise transfer.
- If a closet door is installed, the minimum air openings in the top and bottom of the door are required. Louvered doors with air openings in the top and bottom are acceptable.
- Companion appliance spacing should also be considered.